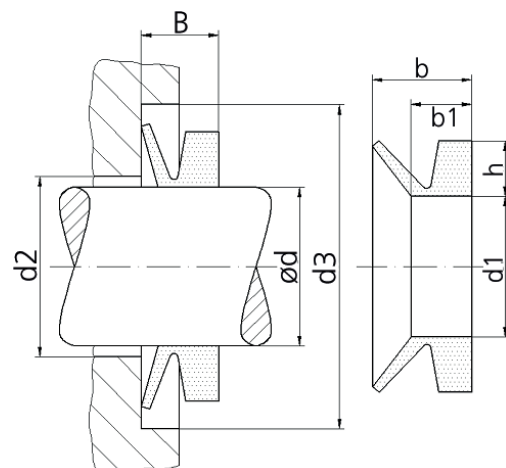


V-Ringi



Rowki montażowe dla V-ringów typu VA



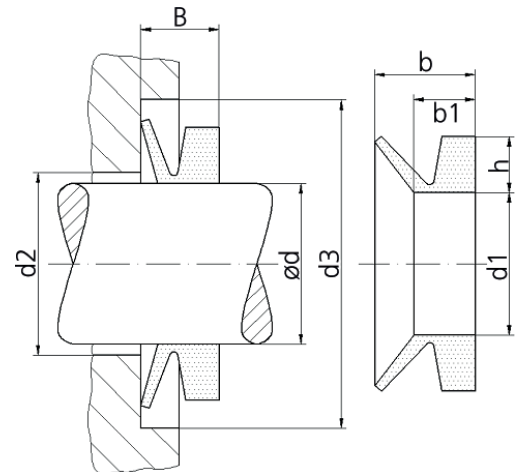
Type	Suitable for shaft - $\varnothing d$	Dimensions in unstressed condition				Specified dimension after assembly	d_2 max	d_3 min
		d_1	h	b_1	b			
VR-A-3	2.7-3.5	2.5	1.5	2.1	3	2.5 ± 0.3	$d+1$	$d+4$
VR-A-4	3.5-4.5	3.2	2	2.4	3.7	3.0 ± 0.4	$d+1$	$d+6$
VR-A-5	4.5-5.5	4	2	2.4	3.7	3.0 ± 0.4	$d+1$	$d+6$
VR-A-6	5.5-6.5	5	2	2.4	3.7	3.0 ± 0.4	$d+1$	$d+6$
VR-A-7	6.5-8	6	2	2.4	3.7	3.0 ± 0.4	$d+1$	$d+6$
VR-A-8	8-9.5	7	2	2.4	3.7	3.0 ± 0.4	$d+1$	$d+6$
VR-A-10	9.5-11.5	9	3	3.4	5.5	4.5 ± 0.6	$d+2$	$d+9$
VR-A-12	11.5-12.5	10.5	3	3.4	5.5	4.5 ± 0.6	$d+2$	$d+9$
VR-A-14	13.5-15.5	12.5	3	3.4	5.5	4.5 ± 0.6	$d+2$	$d+9$
VR-A-16	15.5-17.5	14	3	3.4	5.5	4.5 ± 0.6	$d+2$	$d+9$
VR-A-18	17.5-19	16	3	3.4	5.5	4.5 ± 0.6	$d+2$	$d+9$
VR-A-20	19-21	18	4	4.7	7.5	6.0 ± 0.8	$d+2$	$d+12$
VR-A-22	21-24	20	4	4.7	7.5	6.0 ± 0.8	$d+2$	$d+12$
VR-A-25	24-27	22	4	4.7	7.5	6.0 ± 0.8	$d+2$	$d+12$
VR-A-28	27-29	25	4	4.7	7.5	6.0 ± 0.8	$d+3$	$d+12$
VR-A-30	29-31	27	4	4.7	7.5	6.0 ± 0.8	$d+3$	$d+12$
VR-A-32	31-33	29	4	4.7	7.5	6.0 ± 0.8	$d+3$	$d+12$
VR-A-35	33-36	31	4	4.7	7.5	6.0 ± 0.8	$d+3$	$d+12$
VR-A-38	36-38	34	4	4.7	7.5	6.0 ± 0.8	$d+3$	$d+12$
VR-A-40	38-43	36	5	5.5	9	7.0 ± 1.0	$d+3$	$d+15$
VR-A-45	43-48	40	5	5.5	9	7.0 ± 1.0	$d+3$	$d+15$
VR-A-50	48-53	45	5	5.5	9	7.0 ± 1.0	$d+3$	$d+15$
VR-A-55	53-58	49	5	5.5	9	7.0 ± 1.0	$d+3$	$d+15$
VR-A-60	58-63	54	5	5.5	9	7.0 ± 1.0	$d+3$	$d+15$
VR-A-65	63-68	58	5	5.5	9	7.0 ± 1.0	$d+3$	$d+15$
VR-A-70	68-73	63	6	6.8	11	9.0 ± 1.2	$d+4$	$d+18$
VR-A-75	73-78	67	6	6.8	11	9.0 ± 1.2	$d+4$	$d+18$
VR-A-80	78-83	72	6	6.8	11	9.0 ± 1.2	$d+4$	$d+18$
VR-A-85	83-88	76	6	6.8	11	9.0 ± 1.2	$d+4$	$d+18$



V-Ringi

Type	Suitable for shaft - $\varnothing d$	Dimensions in unstressed condition				Specified dimension after assembly B	d2 max	d3 min
		d1	h	b1	b			
VR-A- 90	88-93	81	6	6.8	11	9.0 \pm 1.2	d+4	d+18
VR-A- 95	93-98	85	6	6.8	11	9.0 \pm 1.2	d+4	d+18
VR-A- 100	98-105	90	6	6.8	11	9.0 \pm 1.2	d+4	d+18
VR-A- 110	105-115	99	7	7.9	12.8	10.5 \pm 1.5	d+4	d+21
VR-A- 120	115-125	108	7	7.9	12.8	10.5 \pm 1.5	d+4	d+21
VR-A- 130	125-135	117	7	7.9	12.8	10.5 \pm 1.5	d+4	d+21
VR-A- 140	135-145	126	7	7.9	12.8	10.5 \pm 1.5	d+4	d+21
VR-A- 150	145-155	135	7	7.9	12.8	10.5 \pm 1.5	d+4	d+21
VR-A- 160	155-165	144	8	9	14.5	12.0 \pm 1.8	d+5	d+24
VR-A- 170	165-175	153	8	9	14.5	12.0 \pm 1.8	d+5	d+24
VR-A- 180	175-185	162	8	9	14.5	12.0 \pm 1.8	d+5	d+24
VR-A- 190	185-195	171	8	9	14.5	12.0 \pm 1.8	d+5	d+24
VR-A- 199	195-210	180	8	9	14.5	12.0 \pm 1.8	d+5	d+24
VR-A- 200	190-210	180	15	14.3	25	20 \pm 4.0	d+10	d+45
VR-A- 220	210-235	198	15	14.3	25	20 \pm 4.0	d+10	d+45
VR-A- 250	235-265	225	15	14.3	25	20 \pm 4.0	d+10	d+45
VR-A- 275	265-290	247	15	14.3	25	20 \pm 4.0	d+10	d+45
VR-A- 300	290-310	270	15	14.3	25	20 \pm 4.0	d+10	d+45
VR-A- 325	310-335	292	15	14.3	25	20 \pm 4.0	d+10	d+45
VR-A- 350	335-365	315	15	14.3	25	20 \pm 4.0	d+10	d+45
VR-A- 375	365-390	337	15	14.3	25	20 \pm 4.0	d+10	d+45
VR-A- 400	390-430	360	15	14.3	25	20 \pm 4.0	d+10	d+45
VR-A- 450	430-480	405	15	14.3	25	20 \pm 4.0	d+10	d+45
VR-A- 500	480-530	450	15	14.3	25	20 \pm 4.0	d+10	d+45
VR-A- 550	530-580	495	15	14.3	25	20 \pm 4.0	d+10	d+45
VR-A- 600	580-630	540	15	14.3	25	20 \pm 4.0	d+10	d+45
VR-A- 650	630-665	600	15	14.3	25	20 \pm 4.0	d+10	d+45
VR-A- 700	665-705	630	15	14.3	25	20 \pm 4.0	d+10	d+45
VR-A- 725	705-745	670	15	14.3	25	20 \pm 4.0	d+10	d+45
VR-A- 750	745-785	705	15	14.3	25	20 \pm 4.0	d+10	d+45
VR-A- 800	785-830	745	15	14.3	25	20 \pm 4.0	d+10	d+45
VR-A- 850	830-875	785	15	14.3	25	20 \pm 4.0	d+10	d+45
VR-A- 900	875-920	825	15	14.3	25	20 \pm 4.0	d+10	d+45
VR-A- 950	920-965	865	15	14.3	25	20 \pm 4.0	d+10	d+45
VR-A- 1000	965-1015	910	15	14.3	25	20 \pm 4.0	d+10	d+45

Rowki montażowe dla V-ringów typu VS



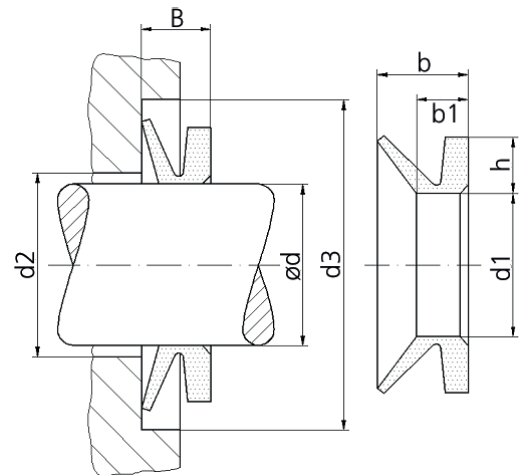
Type	Suitable for shaft - $\varnothing d$	Dimensions in unstressed condition				Specified dimension after assembly B	d2 max	d3 min
		d1	h	b1	b			
VR-S- 5	4.5-5.5	4	2	3.9	5.2	4.5 ± 0.4	d+1	d+6
VR-S- 6	5.5-6.5	5	2	3.9	5.2	4.5 ± 0.4	d+1	d+6
VR-S- 7	6.5-8	6	2	3.9	5.2	4.5 ± 0.4	d+1	d+6
VR-S- 8	8-9.5	7	2	3.9	5.2	4.5 ± 0.4	d+1	d+6
VR-S- 10	9.5-11.5	9	3	5.6	7.7	6.7 ± 0.6	d+2	d+9
VR-S- 12	11.5-12.5	10.5	3	5.6	7.7	6.7 ± 0.6	d+2	d+9
VR-S- 14	13.5-15.5	12.5	3	5.6	7.7	6.7 ± 0.6	d+2	d+9
VR-S- 16	15.5-17.5	14	3	5.6	7.7	6.7 ± 0.6	d+2	d+9
VR-S- 18	17.5-19	16	3	5.6	7.7	6.7 ± 0.6	d+2	d+9
VR-S- 20	19-21	18	4	7.9	10.5	9.0 ± 0.8	d+2	d+12
VR-S- 22	21-24	20	4	7.9	10.5	9.0 ± 0.8	d+2	d+12
VR-S- 25	24-27	22	4	7.9	10.5	9.0 ± 0.8	d+2	d+12
VR-S- 28	27-29	25	4	7.9	10.5	9.0 ± 0.8	d+3	d+12
VR-S- 30	29-31	27	4	7.9	10.5	9.0 ± 0.8	d+3	d+12
VR-S- 32	31-33	29	4	7.9	10.5	9.0 ± 0.8	d+3	d+12
VR-S- 35	33-36	31	4	7.9	10.5	9.0 ± 0.8	d+3	d+12
VR-S- 38	36-38	34	4	7.9	10.5	9.0 ± 0.8	d+3	d+12
VR-S- 40	38-43	36	5	9.5	13	11.0 ± 1.0	d+3	d+15
VR-S- 45	43-48	40	5	9.5	13	11.0 ± 1.0	d+3	d+15
VR-S- 50	48-53	45	5	9.5	13	11.0 ± 1.0	d+3	d+15
VR-S- 55	53-58	49	5	9.5	13	11.0 ± 1.0	d+3	d+15
VR-S- 60	58-63	54	5	9.5	13	11.0 ± 1.0	d+3	d+15
VR-S- 65	63-68	58	5	9.5	13	11.0 ± 1.0	d+3	d+15
VR-S- 70	68-73	63	6	11.3	15.5	13.5 ± 1.2	d+4	d+18
VR-S- 75	73-78	67	6	11.3	15.5	13.5 ± 1.2	d+4	d+18
VR-S- 80	78-83	72	6	11.3	15.5	13.5 ± 1.2	d+4	d+18
VR-S- 85	83-88	76	6	11.3	15.5	13.5 ± 1.2	d+4	d+18
VR-S- 90	88-93	81	6	11.3	15.5	13.5 ± 1.2	d+4	d+18
VR-S- 95	93-98	85	6	11.3	15.5	13.5 ± 1.2	d+4	d+18



V-Ringi

Type	Suitable for shaft - \varnothing d	Dimensions in unstressed condition				Specified dimension after assembly B	d2 max	d3 min
		d1	h	b1	b			
VR-S- 100	98-105	90	6	11.3	15.5	13.5 \pm 1.2	d+4	d+18
VR-S- 110	105-115	99	7	13.1	18	15.5 \pm 1.5	d+4	d+21
VR-S- 120	115-125	108	7	13.1	18	15.5 \pm 1.5	d+4	d+21
VR-S- 130	125-135	117	7	13.1	18	15.5 \pm 1.5	d+4	d+21
VR-S- 140	135-145	126	7	13.1	18	15.5 \pm 1.5	d+4	d+21
VR-S- 150	145-155	135	7	13.1	18	15.5 \pm 1.5	d+4	d+21
VR-S- 160	155-165	144	8	15	20.5	18.0 \pm 1.8	d+5	d+24
VR-S- 170	165-175	153	8	15	20.5	18.0 \pm 1.8	d+5	d+24
VR-S- 180	175-185	162	8	15	20.5	18.0 \pm 1.8	d+5	d+24
VR-S- 190	185-195	171	8	15	20.5	18.0 \pm 1.8	d+5	d+24
VR-S- 199	195-210	180	8	15	20.5	18.0 \pm 1.8	d+5	d+24

Rowki montażowe dla V-ringów typu VL



Type	Suitable for shaft - $\varnothing d$	Dimensions in unstressed condition				Specified dimension after assembly B	d2 max	d3 min
		d1	h	b1	b			
VR-L- 110	105-115	99	6.5	6	10.5	8 ±1.5	d+5	d+20
VR-L- 120	115-125	108	6.5	6	10.5	8 ±1.5	d+5	d+20
VR-L- 130	125-135	117	6.5	6	10.5	8 ±1.5	d+5	d+20
VR-L- 140	135-145	126	6.5	6	10.5	8 ±1.5	d+5	d+20
VR-L- 150	145-155	135	6.5	6	10.5	8 ±1.5	d+5	d+20
VR-L- 160	155-165	144	6.5	6	10.5	8 ±1.5	d+5	d+20
VR-L- 170	165-175	153	6.5	6	10.5	8 ±1.5	d+5	d+20
VR-L- 180	175-185	162	6.5	6	10.5	8 ±1.5	d+5	d+20
VR-L- 190	185-195	171	6.5	6	10.5	8 ±1.5	d+5	d+20
VR-L- 200	195-210	182	6.5	6	10.5	8 ±1.5	d+5	d+20
VR-L- 220	210-233	198	6.5	6	10.5	8 ±1.5	d+5	d+20
VR-L- 250	233-260	225	6.5	6	10.5	8 ±1.5	d+5	d+20
VR-L- 275	260-285	247	6.5	6	10.5	8 ±1.5	d+5	d+20
VR-L- 300	285-310	270	6.5	6	10.5	8 ±1.5	d+5	d+20
VR-L- 325	310-335	292	6.5	6	10.5	8 ±1.5	d+5	d+20
VR-L- 350	335-365	315	6.5	6	10.5	8 ±1.5	d+5	d+20
VR-L- 375	365-385	337	6.5	6	10.5	8 ±1.5	d+5	d+20
VR-L- 400	385-410	360	6.5	6	10.5	8 ±1.5	d+5	d+20
VR-L- 425	410-440	382	6.5	6	10.5	8 ±1.5	d+5	d+20
VR-L- 450	440-475	405	6.5	6	10.5	8 ±1.5	d+5	d+20
VR-L- 500	475-510	450	6.5	6	10.5	8 ±1.5	d+5	d+20
VR-L- 525	510-540	472	6.5	6	10.5	8 ±1.5	d+5	d+20
VR-L- 550	540-575	495	6.5	6	10.5	8 ±1.5	d+5	d+20
VR-L- 600	575-625	540	6.5	6	10.5	8 ±1.5	d+5	d+20